

# PRODUCT INFORMATION PACKET

Model No: 112MTFC6512  
Catalog No: R424A  
5 1/2,3600,TEFC,112M,3/60/575  
TEFC



Regal and Marathon are trademarks of Regal Beloit Corporation or one of its affiliated companies.  
©2018 Regal Beloit Corporation, All Rights Reserved. MC017097E



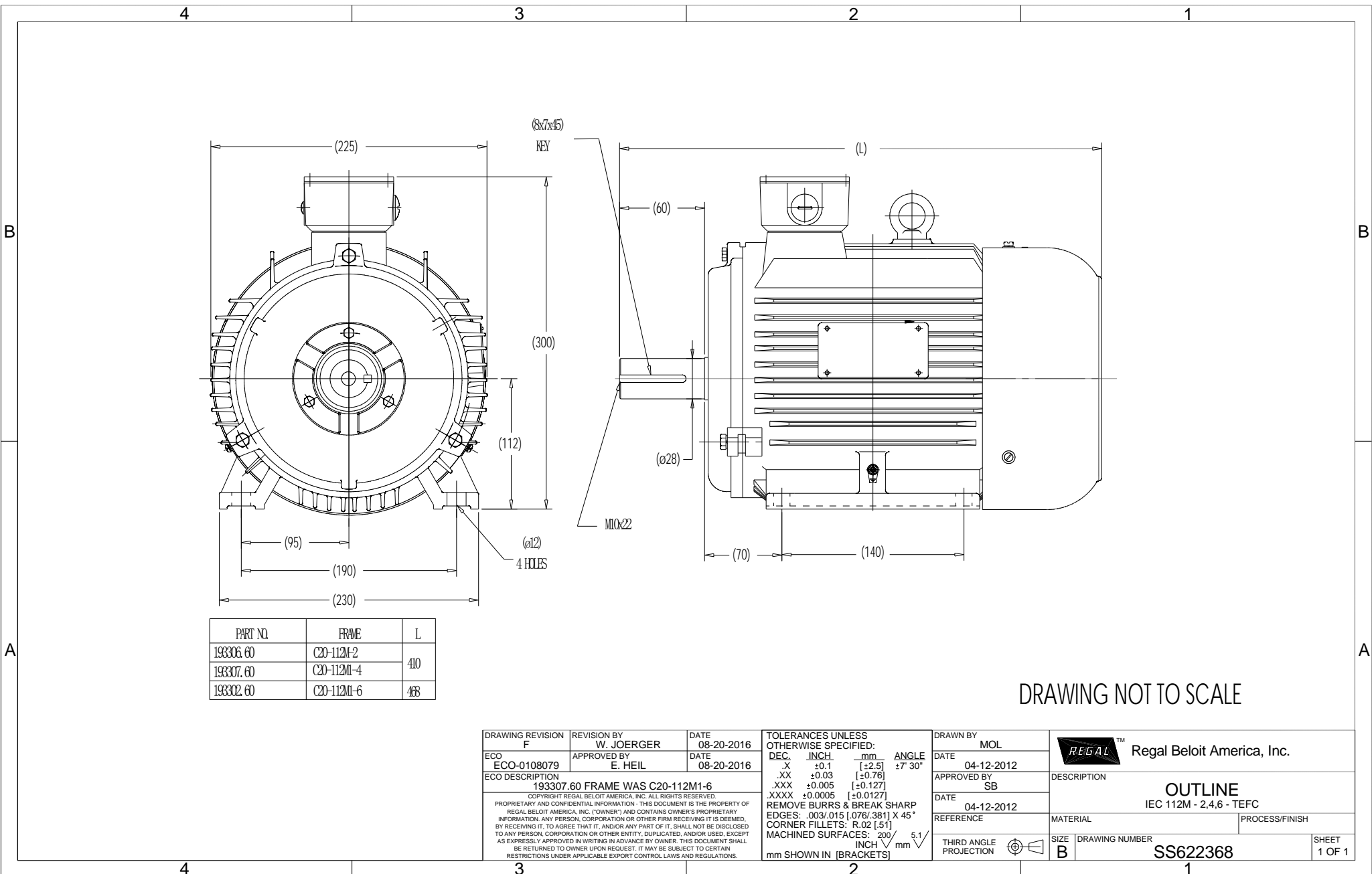
### Nameplate Specifications

Output HP	<b>5.50 Hp</b>	Output KW	<b>4.1 kW</b>
Frequency	<b>60 Hz</b>	Voltage	<b>575 V</b>
Current	<b>5.1 A</b>	Speed	<b>3510 rpm</b>
Service Factor	<b>1.15</b>	Phase	<b>3</b>
Efficiency	<b>89.5 %</b>	Duty	<b>Continuous</b>
Insulation Class	<b>F</b>	Design Code	<b>B</b>
KVA Code	<b>J</b>	Frame	<b>112M</b>
Enclosure	<b>Totally Enclosed Fan Cooled</b>	Overload Protector	<b>No</b>
Ambient Temperature	<b>40 °C</b>	Drive End Bearing Size	<b>6206</b>
Opp Drive End Bearing Size	<b>6205</b>	UL	<b>Recognized</b>
CSA	<b>N</b>	CE	<b>Y</b>
IP Code	<b>54</b>		

### Technical Specifications

Electrical Type	<b>Squirrel Cage Inverter Rated</b>	Starting Method	<b>Line Or Inverter</b>
Poles	<b>2</b>	Rotation	<b>Reversible</b>
Mounting	<b>Rigid base</b>	Motor Orientation	<b>Horizontal Or Shaft Down</b>
Drive End Bearing	<b>Ball</b>	Opp Drive End Bearing	<b>Ball</b>
Frame Material	<b>Cast Iron</b>	Shaft Type	<b>IEC</b>
Overall Length	<b>18.42 in</b>	Shaft Diameter	<b>1.111 in</b>
Shaft Extension	<b>2.36 in</b>	Assembly/Box Mounting	<b>F3</b>
Outline Drawing	<b>SS622368-193306</b>	Connection Diagram	<b>005102.01</b>

This is an uncontrolled document once printed or downloaded and is subject to change without notice. Date Created: 06/29/2018



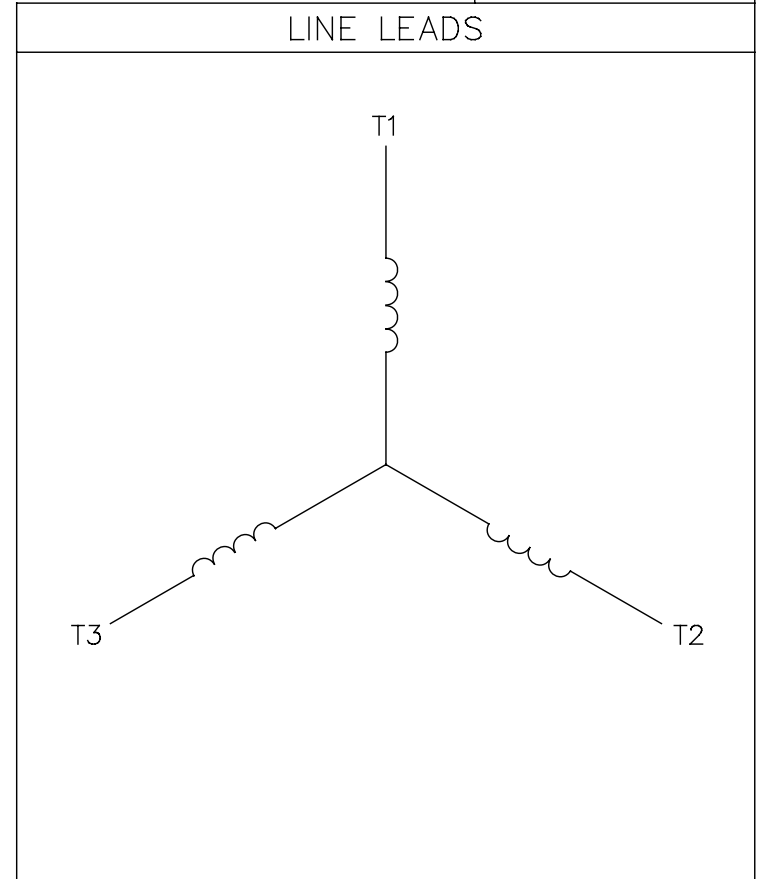
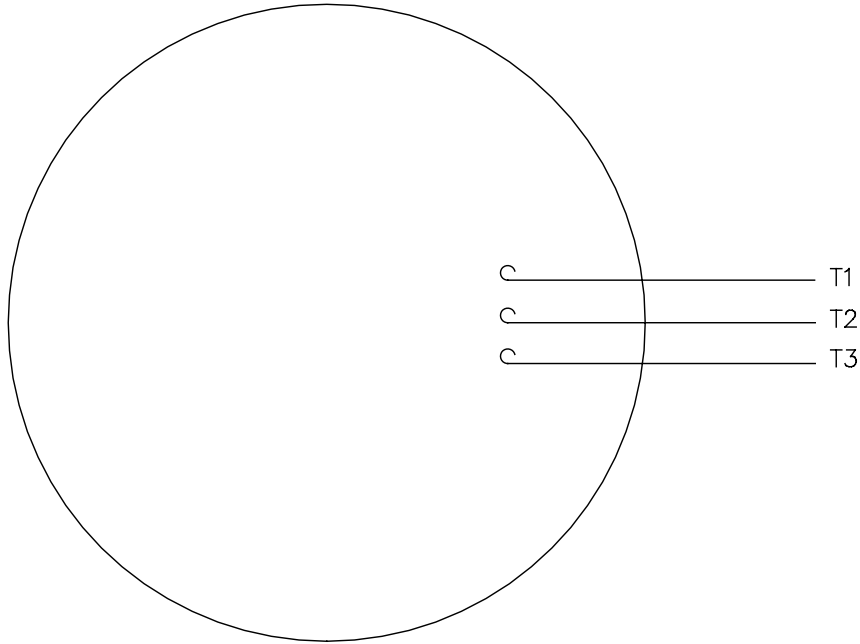
PART NO.	FRAME	L
193306.60	C20-112M-2	410
193307.60	C20-112M-4	410
193302.60	C20-112M-6	468

DRAWING NOT TO SCALE

DRAWING REVISION F		REVISION BY W. JOERGER	DATE 08-20-2016	TOLERANCES UNLESS OTHERWISE SPECIFIED: DEC. INCH mm ANGLE .X ±0.1 [+2.5] ±7-30° .XX ±0.03 [+0.76] .XXX ±0.005 [+0.127] .XXXX ±0.0005 [+0.0127] REMOVE BURRS & BREAK SHARP EDGES: .003/.015 [.076/.381] X 45° CORNER FILLETS: R.02 [.51] MACHINED SURFACES: 200 INCH 5.1 mm	DRAWN BY MOL	Regal Beloit America, Inc.
ECO-0108079		APPROVED BY E. HEIL	DATE 08-20-2016		DATE 04-12-2012	
ECO DESCRIPTION 193307.60 FRAME WAS C20-112M1-6 COPYRIGHT REGAL BELOIT AMERICA, INC. ALL RIGHTS RESERVED PROPRIETARY AND CONFIDENTIAL INFORMATION - THIS DOCUMENT IS THE PROPERTY OF REGAL BELOIT AMERICA, INC. (OWNER) AND CONTAINS OWNER'S PROPRIETARY INFORMATION. ANY PERSON, CORPORATION OR OTHER FIRM RECEIVING IT IS DEEMED, BY RECEIVING IT, TO AGREE THAT IT, AND/OR ANY PART OF IT, SHALL NOT BE DISCLOSED TO ANY PERSON, CORPORATION OR OTHER ENTITY, DUPLICATED, AND/OR USED, EXCEPT AS EXPRESSLY APPROVED IN WRITING IN ADVANCE BY OWNER. THIS DOCUMENT SHALL BE RETURNED TO OWNER UPON REQUEST. IT MAY BE SUBJECT TO CERTAIN RESTRICTIONS UNDER APPLICABLE EXPORT CONTROL LAWS AND REGULATIONS.				REFERENCE	DATE 04-12-2012	DESCRIPTION <b>OUTLINE</b> IEC 112M - 2,4,6 - TEFC
THIRD ANGLE PROJECTION		SIZE B	DRAWING NUMBER SS622368	PROCESS/FINISH	SHEET 1 OF 1	

005102-01

VIEW FROM OUTSIDE OF MOTOR AT SWITCH END.



CONNECT LEADS AS FOLLOWS  
FOR FOUR CONDUCTOR CORD ( )

CORD	L1 (RED)	L2 (WHITE)	L3 (BLACK)	(GREEN)
MOTOR	T1	T2	T3	GROUND

				TOLERANCES UNLESS SPECIFIED		<b>REGAL™</b> Regal Beloit America, Inc.		DRAWN JRW 9/11/75		
				DEC.	INCHES			CHK		
				.X	±.1			APPD JCW 9/11/75		
08	UPDATED TO REGAL LOGO	SAJ 06/26/15	AJY	.XX	±.01	TITLE EXTERNAL WIRING DIAGRAM TYPE "T" W/O PROTECTOR		SCALE 1=1		
07	UPDATED TO CURRENT STANDARDS	DBT 5/30/97		.XXX	±.005			REF W-T6343-6		
06	REDRAWN ON CAD; ADDED DECAL NUMBER	SAW 1/24/95		.XXXX	±.0005			FMF 6T17FB7		
NO.	REVISION	BY & DATE	CHK	ANG	±1/2"	FINISH		PREV		
THIS DRAWING IN DESIGN AND DETAIL IS OUR PROPERTY AND MUST NOT BE USED EXCEPT IN CONNECTION WITH OUR WORK ALL RIGHTS OF DESIGN AND INVENTION ARE RESERVED THIS IS AN ELECTRONICALLY GENERATED DOCUMENT - DO NOT SCALE THIS PRINT				RFP	5/1/02	CAD FILE 00510201		SIZE	DRAWING NO.	REV.
				DIST BRF-NLV		A	005102-01	08		

